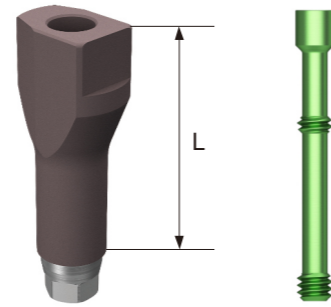


- Used for digital impression coping
- Tightened with a 1.2 hex driver
- Packing unit : scan body + Ti screw

Scan body + screw order code  
: product code + TH (ex : TSNSBRLTH)

- M** Mini
- R** Regular



8 (Short) 12 (Long)

**M**



TSNSBMS

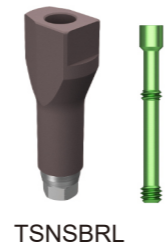


TSNSBML

**R**



TSNSBRS



TSNSBRL

A scan body for fabrication of OneFit abutment for other manufacturers' implants (long type)

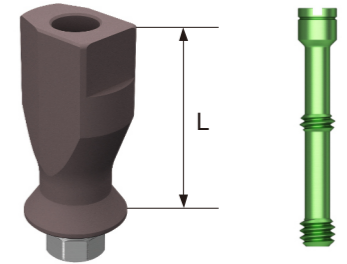
D Type	DESBSTH	
Di Type		Purple
Dt Type	CUSBSTH	anodizing screw
M Type		

NEW 2025

- Used for digital impression coping
- Tightened with a 1.2 hex driver
- Packing unit : scan body + Ti screw

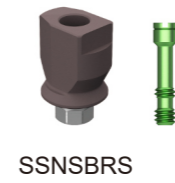
Scan body + screw order code  
: product code + TH (ex : SSNSBRLTH)

- R** Regular
- W** Wide

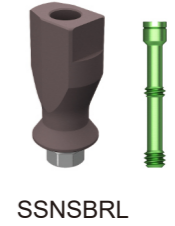


6 (Short) 10 (Long)

**R**

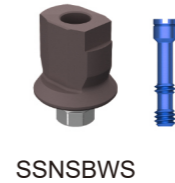


SSNSBRS

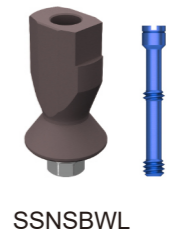


SSNSBRL

**W**



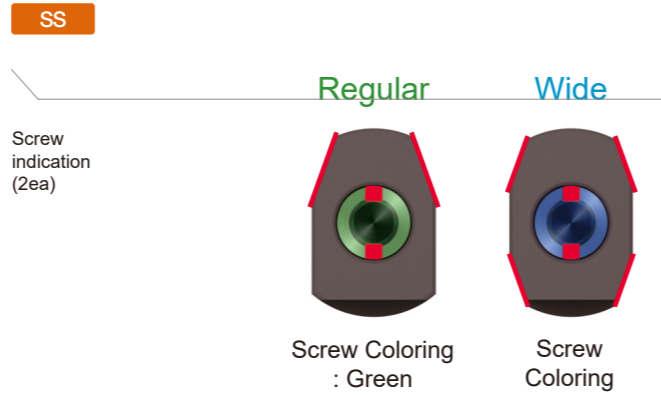
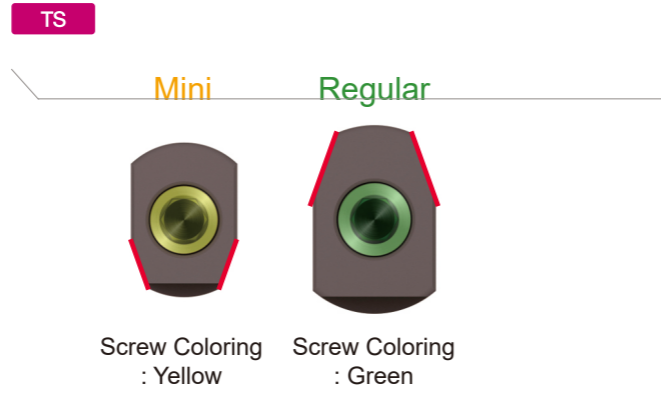
SSNSBWS



SSNSBWL

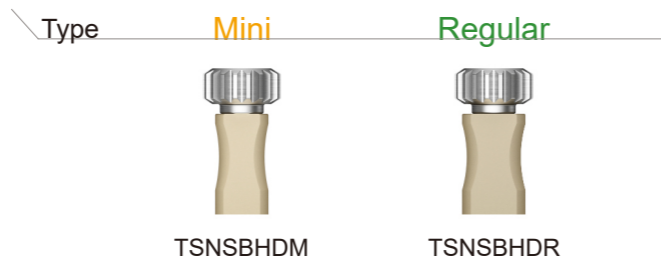
### Scan Body Classification Guide

•See classification by scan body (intraoral) system



### Scan Body Holding Driver

- Driver exclusively for scan body (intraoral) used for connection and separation of a scan body
- Applicable to all of TS, SS
- Mini : **TS** Mini
- Regular : **TS** Regular
- SS** Regular / Wide



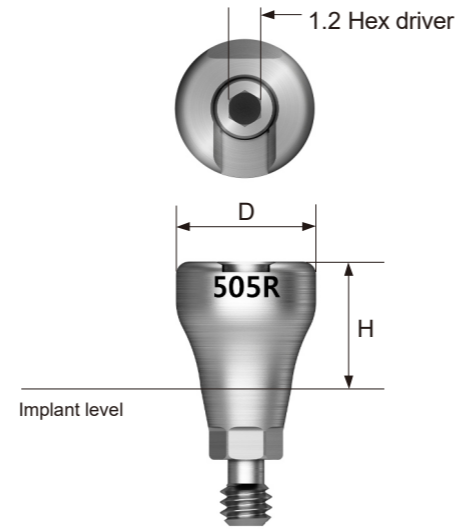
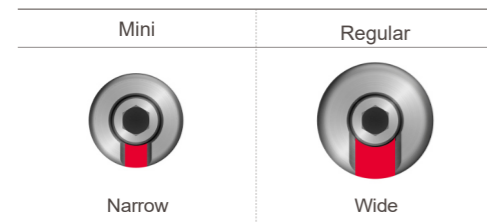
# Digital Prosthetics Scan Healing Abutment



## TS Scan Healing Abutment



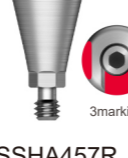

- Healing Abutment with scan body function
- Different types are differentiated by the marker shape at the top (See the type classification table)
- Abutment level impression
- Driver-integrated carrier is used for transfer to the mouth and ease of connection
- Different screws are used for different lengths (mixed use not possible)
- 1.2 hex driver / driver-integrated carrier
- Packing unit : scan healing abutment body + Ti screw

Scan healing abutment body + Ti screw order code : product code + TH (ex : TSSHA505RTH)

- M** Mini
- R** Regular



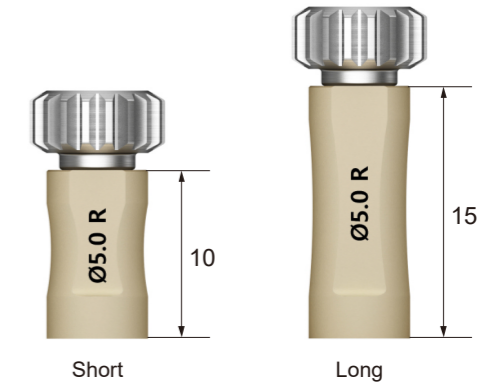
D \ H	4.0	5.0	7.0	9.0 <small>NEW 2025</small>
				
<b>Ø4.0</b>	TSSHA404M (1marking)	TSSHA405M (2marking)	TSSHA407M (3marking)	TSSHA409M (4marking)





D \ H	4.0	5.0	7.0	9.0 <small>NEW 2025</small>
				
<b>Ø4.5</b>	TSSHA454R (1marking)	TSSHA455R (2marking)	TSSHA457R (3marking)	TSSHA459R (4marking)
<b>Ø5.0</b>	TSSHA504R	TSSHA505R	TSSHA507R	TSSHA509R
<b>Ø6.0</b>	TSSHA604R	TSSHA605R	TSSHA607R	TSSHA609R

## TS Scan Healing Abutment Carrier

- Used for transferring the Scan Healing Abutment into the mouth and for connection
- Selected according to the body diameter for use
- Material: PEEK + TrimRite

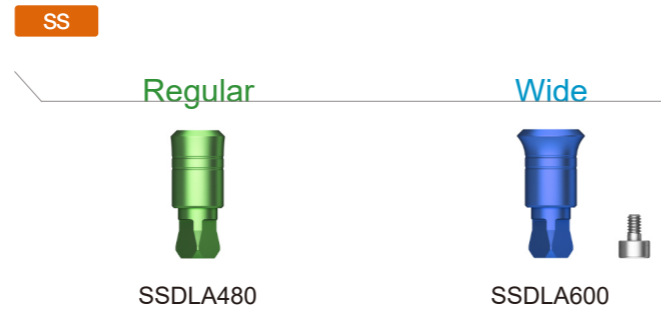
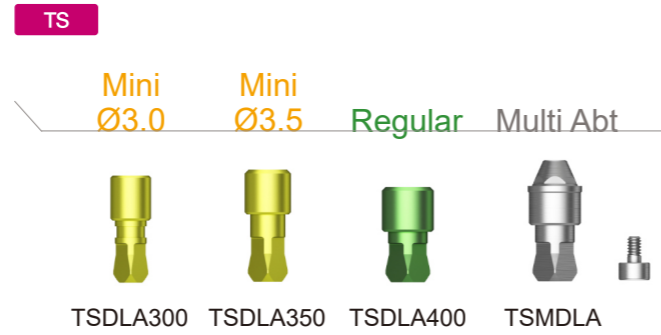
- M** Mini
- R** Regular



Type \ Scan Healing(D)	Ø4.0	Ø4.5	Ø5.0	Ø6.0
<b>Short</b>				
<b>Long</b>	TSSHAC400L	TSSHAC450L	TSSHAC500L	TSSHAC600L

## Digital Lab Analog (TS, SS)

- Lab Analog for making the digital implant working model
- Ease of classification through the color of Lab Analog
- Convenient connection through lab analog tools such as Reamer Drill and Positioning Jig
- Packing unit : digital lab analog + screw

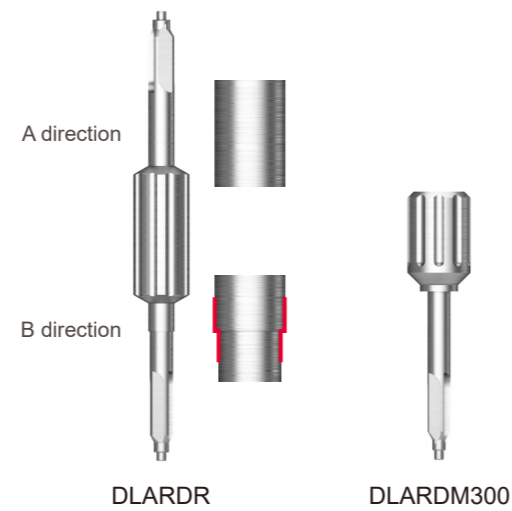


## Reamer Drill

- Used for correction of insertion path of 3D-printed working model
- See the table below for guide of use by the type of Digital Lab Analog

DLARDR	Type	A direction	B direction
TS		Regular / Multi	Mini
SS		Regular / Wide	

DLARDM300	Type
TS	Ø3.0



## Positioning Jig

- Used for inserting Lab Analog to the working model in the accurate hex direction
- TS, SS types are used regardless of connection
- TSMDLAPJ : Exclusively for Digital Lab Analog for multi abutment (TSMDLA)



## Screw Bulk

- Set of 10 screws for Lab Analog only



- Making custom abutment with dental milling equipment
- Easy identification from non-genuine product with Osstem certification mark
- Superior tightening precision compared to non-genuine product
- Product lineup according to different milling equipment  
(Milling equipment manufacturers: Doowon, Vatech, Neo, Manix and Zirkozahn)
- Packing unit : abutment + EbonyGold screw or Ti screw

**Abutment + screw order code**

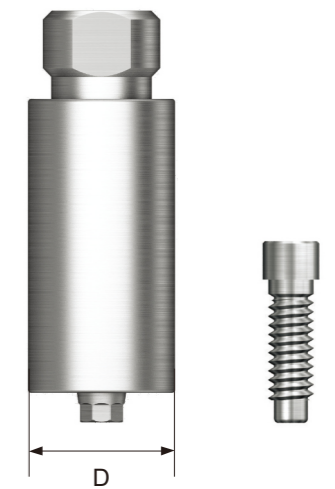
: product code + **WH** or **TH** (ex : TSPM10ARMWH)



- Making custom abutment with dental milling equipment
- Superior tightening precision compared to non-genuine product
- Packing unit : abutment + Ti screw

**Abutment + screw order code**

: product code + **TH** (ex : SSPM10AGRTH)

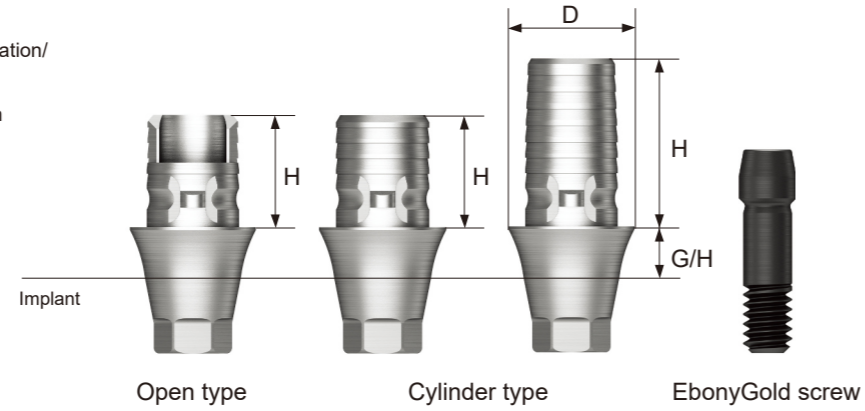


Equipment	Implant	D	Type	Code			
				Hex	Non-Hex		
ARUM Imes-icore Dental plus	Osstem TS	Ø10	Mini	TSPM10ARMWH	TSPM10ARMNWH		
			Regular	TSPM10ARRWH	TSPM10ARRNWH		
		Ø14	Mini	TSPM14ARMWH	TSPM14ARMNWH		
			Regular	TSPM14ARRWH	TSPM14ARRNWH		
Neo Cameleon	Osstem TS	Ø10	Mini	TSPM10CAMWH	TSPM10CAMNWH		
			Regular	TSPM10CARWH	TSPM10CARNWH		
		Ø14	Mini	TSPM14CAMWH	TSPM14CAMNWH		
			Regular	TSPM12CEMWH	TSPM14CARNWH		
		Ceramil	Osstem TS	Ø12	Mini	TSPM12CERWH	TSPM12CEMNWH
					Regular	TSPM10ZKMWH	TSPM12CERNWH
Zirkozahn	NEW 2025 Osstem TS	Ø10	Mini	TSPM10ZKRWH	TSPM10ZKMNWH		
			Regular	TSPM14ZKMWH	TSPM10ZKRNWH		
		Ø14	Mini	TSPM14ZKRWH	TSPM14ZKMNWH		
			Regular	TSPM10MXMW H	TSPM14ZKRNWH		
Manix	NEW 2025 Osstem TS	Ø10	Mini	TSPM10MXRWH	TSPM10MXMNWH		
			Regular	TSPM14MXMW	TSPM10MXRNWH		
		Ø14	Mini	H	TSPM14MXMNWH		
			Regular	TSPM14MXRWH	TSPM14MXRNWH		

Equipment	Implant	D	Type	Code	
				Octa	Non-Octe
ARUM Imes-icore Dental plus	Osstem SS	Ø10	Regular	SSPM10AGRTH	SSPM10AGRNTH
			Wide	SSPM10AGWTH	SSPM10AGWNT
			NEW 2025 Regular	SSPM14ANRTH	SSPM14ANRNT H
Manix	Osstem SS	NEW 2025	Regular	SSPM10MXRTH	
			Wide	SSPM10MXWTH	

NEW 2025

- Abutment for fabrication of cement-retained/combination/screw-retained prosthesis
- Used for fabrication of Ti + Zr custom abutment with CAD/CAM equipment
- The official Osstem Implant Library is provided
- Implant level impression
- Tightened with a 1.2 hex driver
- Recommended tightening torque: 20Ncm(mini), 30Ncm(regular)
- Packing unit : abutment + EbonyGold screw



**Abutment + EbonyGold screw order code**  
: product code + **WH** (ex : TSPL4541R**WH**)

**D Ø4.0**



EbonyGold screw  
: GSABSM



	H \ G/H	1.0	2.0	3.0	4.0
	Type				
Hex	<b>4.0</b> Open Type	TSPL4041M	TSPL4042M	TSPL4043M	TSPL4044M
	<b>4.0</b> Cylinder Type	TSPL4041C	TSPL4042C	TSPL4043C	TSPL4044C
	<b>6.0</b> Cylinder Type	TSPL4061M	TSPL4062M	TSPL4063M	TSPL4064M
Non-Hex	<b>4.0</b> Open Type	TSPL4041MN	TSPL4042MN	TSPL4043MN	TSPL4044MN
	<b>4.0</b> Cylinder Type	TSPL4041CN	TSPL4042CN	TSPL4043CN	TSPL4044CN
	<b>6.0</b> Cylinder Type	TSPL4061MN	TSPL4062MN	TSPL4063MN	TSPL4064MN

**D Ø4.5**



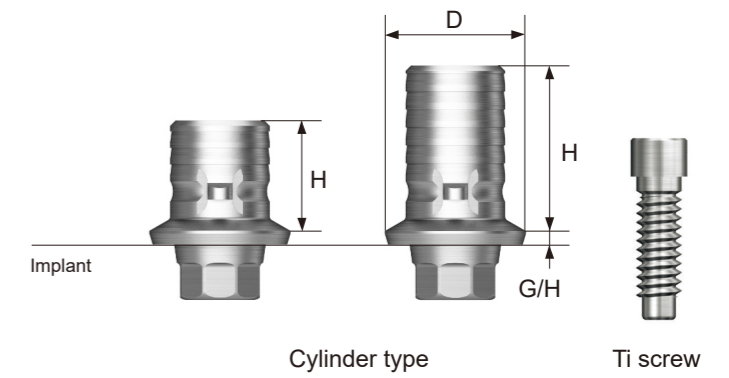
EbonyGold screw  
: GSABSS



	H \ G/H	1.0	2.0	3.0	4.0
	Type				
Hex	<b>4.0</b> Open Type	TSPL4541R	TSPL4542R	TSPL4543R	TSPL4544R
	<b>4.0</b> Cylinder Type	TSPL4541C	TSPL4542C	TSPL4543C	TSPL4544C
	<b>6.0</b> Cylinder Type	TSPL4561R	TSPL4562R	TSPL4563R	TSPL4564R
Non-Hex	<b>4.0</b> Open Type	TSPL4541RN	TSPL4542RN	TSPL4543RN	TSPL4544RN
	<b>4.0</b> Cylinder Type	TSPL4541CN	TSPL4542CN	TSPL4543CN	TSPL4544CN
	<b>6.0</b> Cylinder Type	TSPL4561RN	TSPL4562RN	TSPL4563RN	TSPL4564RN

SS Link Abutment for Public NEW 2025

- Abutment for fabrication of cement-retained/combination/screw-retained prosthesis
- Used for fabrication of Ti + Zr custom abutment with CAD/CAM equipment
- The official Osstem Implant Library is provided
- Implant level impression
- Tightened with a 1.2 hex driver
- Recommended tightening torque: 30Ncm
- Packing unit : abutment + Ti screw

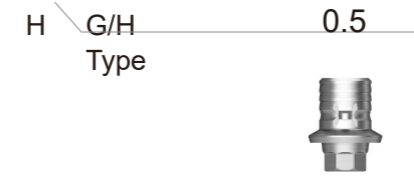


**Abutment + Ti screw order code**  
: product code + **TH** (ex : SSPL4840**CTH**)

**D Ø5.1**



Ti screw  
: ASR200



<b>4.0</b> Cylinder Type	SSPL4840C
	SSPL4860C

**D Ø6.3**



Ti screw  
: ASR200



<b>4.0</b> Cylinder Type	SSPL6040C
	SSPL6060C

## TS Link Abutment for Cerec

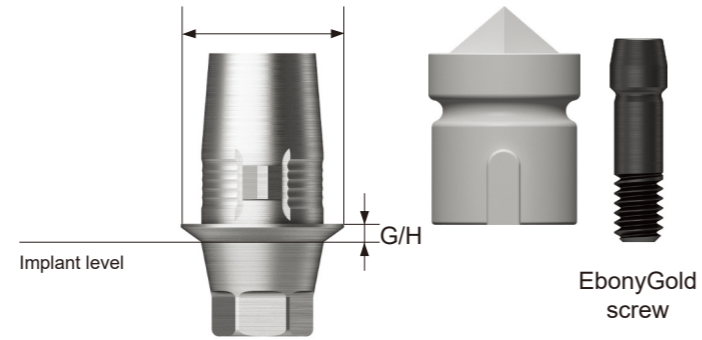
- Abutment for fabrication of cement-retained/combination/screw-retained prosthesis
- Used for fabrication of Ti + Zr custom abutment with Cerec CAD/CAM equipment
- Tightened with a 1.2 hex driver
- Recommended tightening torque: 20Ncm(mini), 30Ncm(regular)
- Packing unit : abutment + EbonyGold screw + scan body

**Abutment + EbonyGold screw + scan body order code**

: product code + **WH** (ex : TSCTBR**WH**)

**M** Mini

**R** Regular



## TS Cerec Scan Post

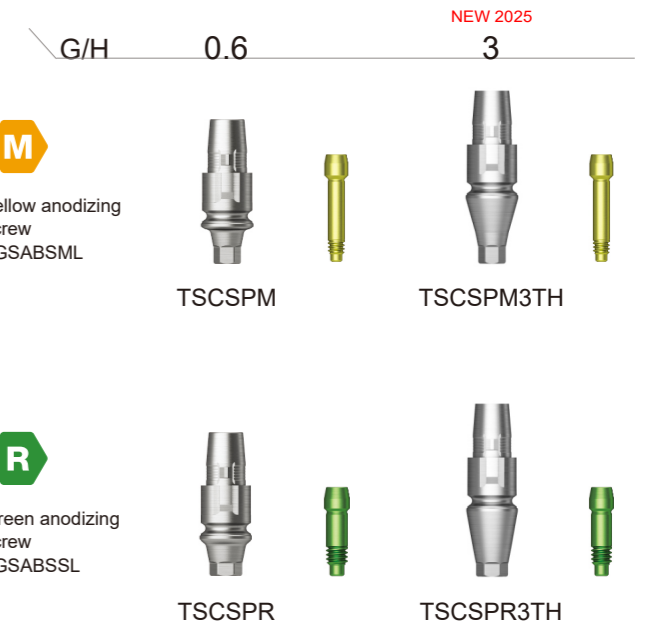
- Used for the scan body of Cerec Link Abutment with little vertical exposure (When the implant is deeply placed or the soft tissue is thick)
- Scanning by connecting Scan Body
- Hand tightened with a 1.2 hex driver
- Packing unit : scan post + Ti screw

**Scan post + screw order code**

: product code + **TH** (ex : TSCSPR**TH**)

**M** Mini

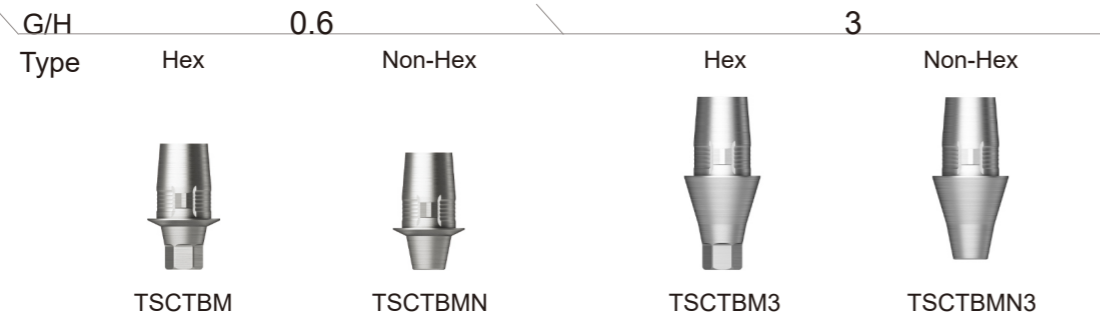
**R** Regular



**D Ø4.5**

**M**

EbonyGold screw : GSABSM



**D Ø4.5**

**R**

EbonyGold screw : GSABSS



## Cerec Scan Body

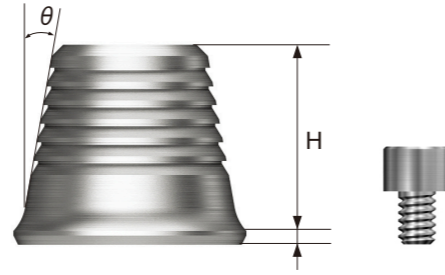
- Scanning by connecting Cerec Link Abutment or Scan Post
- Common use for KS/TS
- Packing unit : 10ea





### TS Multi Ti Base



- Used for producing combination prosthesis in TS multi abutment
- Used in connection with TS multi scan body
- Abutment level impression
- Non-hex type only
- Tightened with a 1.2 hex driver
- Recommended tightening torque: 20Ncm
- Packing unit : Ti base + Ti base screw



**Ti base + Ti base screw order Code**  
 : product code + **TH** (ex : TSMTB505G**TH**)



TS Multi Ti-base screw  
 : TSMTBS

H	Degree(θ)	5°	10°
4		 TSMTB0405G	 TSMTB0410G
6		 TSMTB0605G	-

### TS Multi Scan Body

- Used for oral scanning by connecting to TS Multi Abutment
- Hand tightened with a 1.2 hex driver



TSMSBC





**OSSTEM<sup>®</sup>**  
IMPLANT